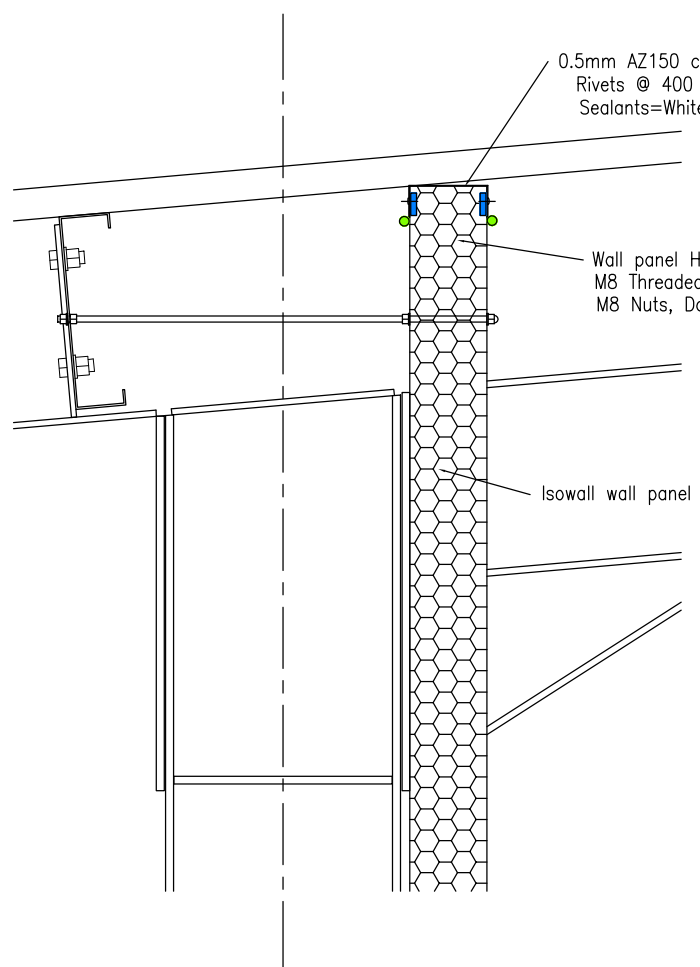


0.5mm AZ150 channel (to suit panel)
Rivets @ 400 crs. to panel skin
Sealants=White silicon & mastic

Wall panel Horizontal supports
M8 Threaded rod
M8 Nuts, Dome nuts & Ø50 Aluminium washers

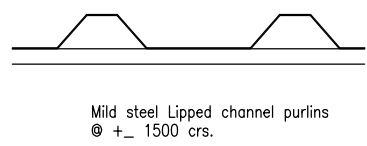
Isowall wall panel



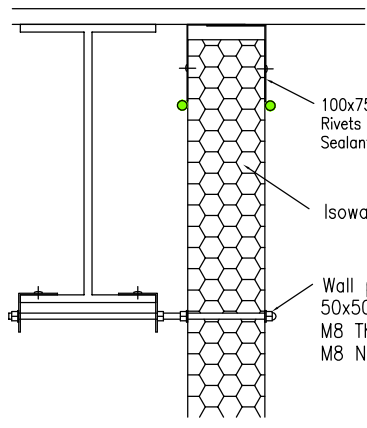
0.5mm AZ150 channel (to suit panel)
Rivets @ 400 crs. to panel skin
Sealants=White silicon & mastic

Wall panel Horizontal supports
M8 Threaded rod
M8 Nuts, Dome nuts & Ø50 Aluminium washers

Isowall wall panel



Mild steel Lipped channel purlins
@ +/- 1500 crs.



100x75 Back to back Chromadek angles
Rivets @ 400 crs. to panel skin
Sealants=White silicon

Isowall wall panel

Wall panel Horizontal supports @ 1200 crs.
50x50x2mm Aluminium angles
M8 Threaded rod
M8 Nuts, Dome nuts & Ø50 Aluminium washers

Sealants Colour Legend	
	White silicon
	White sikaflex
	Grey Sikaflex
	Mastic
	Polar Roof

T.O.I.= THICKNESS OF INSULATION
T.O.P.= THICKNESS OF PANEL

Isowall
Isowall Southern Africa (Pty) Ltd
Reg. No. 1982/010393/07

TITLE: **STEEL STRUCTURE TO
PANEL CONNECTION
DETAILS**

DRAWING NO: **ISO DWG DET 018
REV 1**

THIS DRAWING IS THE PROPERTY OF ISOWALL S.A. (PTY)LTD
COPYRIGHT: THIS DRAWING SHOULD NOT BE COPIED OR DISCLOSED TO ANY THIRD PARTY WITHOUT THE EXPRESS PERMISSION OF ISOWALL S.A. (PTY)LTD
DESIGN RIGHT: ALL DESIGN RIGHTS IN THE DESIGN RECORDED ON THIS DRAWING ARE THE PROPERTY OF ISOWALL S.A. (PTY) LTD AND SHOULD NOT BE REPRODUCED OR DISCLOSED TO ANY THIRD PARTY WITHOUT THE EXPRESS PERMISSION OF ISOWALL